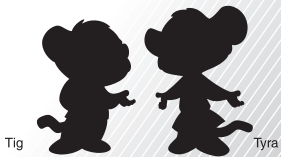
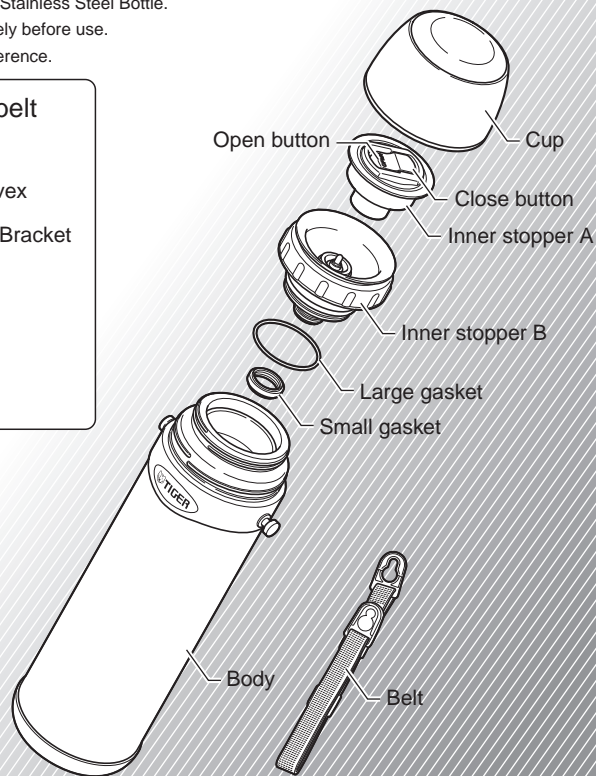
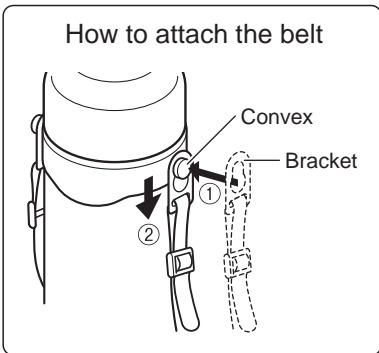


Stainless Steel Bottle

Instructions

Thank you for purchasing a "TIGER" Stainless Steel Bottle.
Please read the instructions completely before use.
Keep these instructions for future reference.



Safety Precautions

Important!

Keep out of reach of children.
Use a cup to drink when the product contains a hot beverage.

Be sure to close the stopper securely then press the close button. And then check that the contents will not leak when the product is tilted.

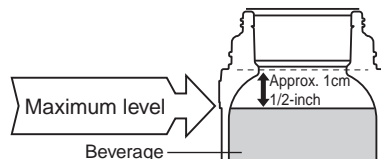
Do not put dry ice or carbonated beverages in the product.

Do not store milk, dairy products, or certain fruit juices in the product.

Do not place the product near stoves, open flames, or other sources of extreme heat.

Do not heat the product in a microwave oven.

Do not fill the product above the maximum level shown below.



Do not press the open button when the product tilted or near face.

Consume the beverage within the day. Otherwise, it goes bad or spoils.

Noncompliance to this instruction may result in scald or injury.

Do not swing the product while holding the belt.

Do not touch the brim with hot tea kettle spout.

Do not use the product for any purposes other than drinking and keeping beverages warm or cold.

Do not knock over, drop or expose the product to excessive shocks.

Do not disassemble or attempt to repair the product by yourself.

Be sure to clean the product immediately, especially for sports drinks.

Do not store soups or beverages containing salt in the product.

Do not neglect the product in the bag.

Do not use chlorine-based bleaches or cleaner when cleaning the product.

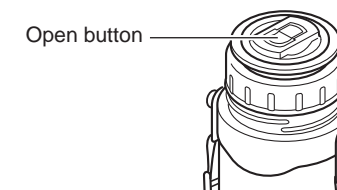
Keep the product upright position all the time.

Do not add tea leaves and fruits juice with pulp.

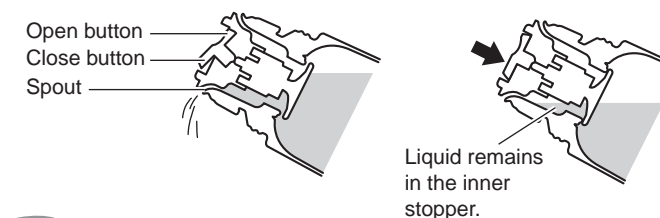
How to Use

1 To keep your beverage warm or cool longer. Pour hot (or cold) water into the product, and let it sit for one or two minutes to allow the inside of the product to heat (or cool).

2 Remove the cup, press the open button, tilt the product, and then pour the beverage.



3 After pouring the beverage, stand the product upright, wait for 2 to 3 seconds, and then press the close button.



Caution

Do not push close button when it tilted. Liquid remains in the inner stopper and it may leak.

The product rattles when shaken.

This is caused by a metal sheet moving inside the product and it doesn't affect the performance of the product. The metal sheet is used for boosting the performance of heat retention.

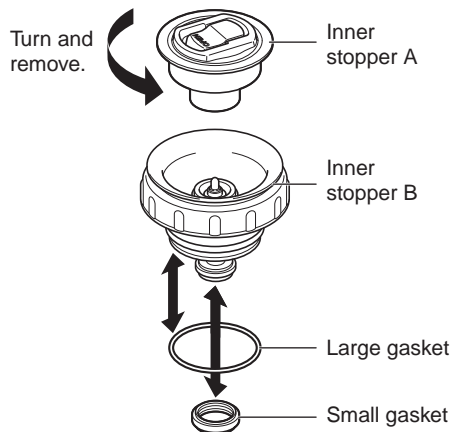
How to Clean

- ◆ Clean after every use.
- ◆ Use mild kitchen detergent.
- ◆ Use a sponge or soft cloth.
- ◆ To minimize the odor, it is recommended that the product is cleaned frequently.

Caution

- Do not use dish washer, dryer or scalding.

How to clean the inner stopper



- When part A of the inner stopper is turned toward the direction indicated by the arrow, the inner stopper is separated into two sections – A and B.

Also, the gaskets of section B can be removed.

- The inner stopper must be hand-washed. Clean the stopper with a soft sponge and rinse it thoroughly. Be sure to dry off the stopper.

※ Set the inner stopper gaskets in the proper position.

MBI-A

Replacing and Purchasing Consumable Parts

The inner stopper and gaskets are consumable parts. Check once a year for damage/deterioration. If heavily stained or loose, replace them. For replacement parts, contact customer service.

Before contact Tiger Customer Service

The utmost measures have been taken to ensure the quality of this product. Should the product be defective, however, contact Tiger Customer Service and provide the following information.

1. Product name
2. Model Number
3. Description of trouble (As detailed as possible)
4. Purchase date

Feel free to send any questions or comments about this product.

※ For the purpose of performance improvement, designs, specifications and parts shown in this publication are subject to change without notice.

Specifications

Capacity	Temperature retention
0.8 liter / 27.0 oz	Greater than 51°C • 124°F (24 hours)
	Greater than 77°C • 171°F (6 hours)
1.0 liter / 33.8 oz	Greater than 58°C • 136°F (24 hours)
	Greater than 80°C • 176°F (6 hours)

※ Temperature retention has been calculated under the condition of adding hot water at 95°C ±1°C • 203°F ±2°F and leaving it in a room temperature of 20°C ±2°C • 68°F ±4°F for 24 hours or 6 hours.

※ Capacity is actual volume that water can be stored into the product when the inner stopper is closed.



TIGER CORPORATION

Head Office: 3-1 Hayamicho, Kadoma City, Osaka 571-8571, Japan
URL : <http://www.tiger.jp/global.html>

TIGER HANBAI (H.K.) CO.,LTD.

Rm. 1006B, 10/FI., Join-in Hang Sing Centre, 71 - 75 Container Port Road, Kwai Chung, N.T.
Tel: (852) 2418-0912 Fax: (852) 2418-0911

JAPAN TIGER CORPORATION OF U.S.A.

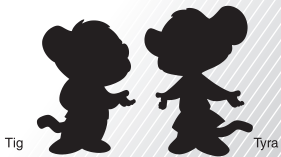
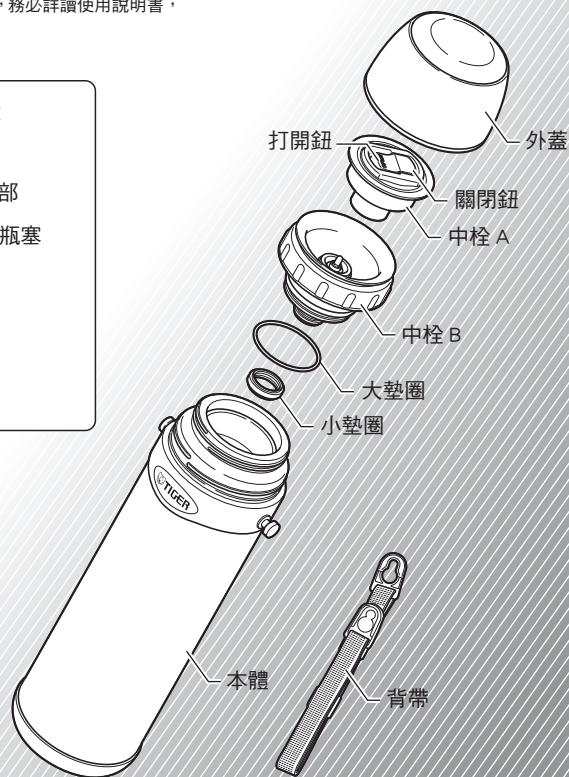
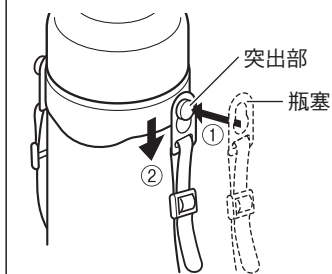
2730 Monterey Street, Suite 105 Torrance, CA 90503
Tel: (310) 787-1985 Fax: (310) 787-1986
URL: <http://www.japantigercorp.com/>

不銹鋼保溫保冷瓶

使用說明書

感謝您購買本公司產品。請在使用前，務必詳讀使用說明書，以便正確使用並請妥善保管。

背帶的安裝方法



安全注意事項

為避免造成受傷或灼傷，請務必遵守以下內容。

請勿置放於幼兒易拿取的地方。

放入熱飲時，請務必使用杯子飲用。

請確實栓緊中栓並且一定要按關閉鈕。然後將本體傾斜，確認飲料是否會溢出。

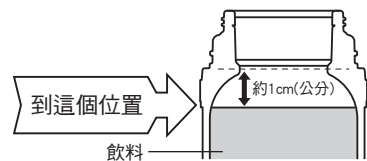
請勿裝入乾冰・碳酸飲料等。

請勿裝入牛乳・乳製飲料・果汁等。

請勿置放於瓦斯火爐及暖爐等有火氣的附近。

請勿使用微波爐加熱。

飲料量限裝入至圖示的位置。



本體呈現傾斜狀態及臉等部位靠近瓶身時，請勿按下打開鈕。

為避免飲料腐敗變質，請於當日內飲用完畢。

為避免造成受傷或燙傷，請務必遵照使用說明書記載的方式使用。

請勿隨便揮舞背帶。

保溫瓶倒入飲料時，請小心避免碰撞翻倒。

請勿使用於保溫・保冷飲料以外之用途。

請勿翻倒、摔落地面或撞擊等給予強烈的衝擊。(可能造成保溫或保冷效能失效)

請勿自行拆卸或修理。

若裝入運動飲料，飲用完畢後請盡速清洗。

請勿裝入味增湯或濃湯等含有鹽分的湯汁。

請勿長時間放置在包包或袋子中。並且請勿橫放，避免上蓋未鎖緊或故障時飲料流出。

請勿使用鹽素系漂白劑。

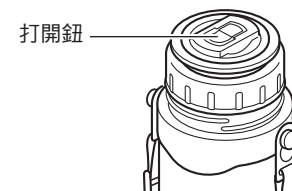
本體請勿橫放。

請勿放入茶葉及果肉等物品。

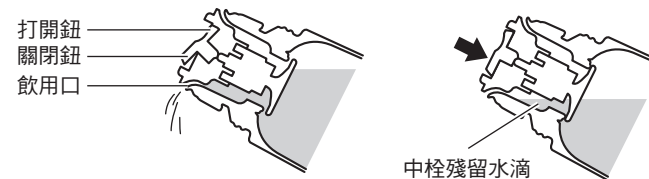
使用方法

1 若想提升保溫(保冷)效果，可先裝入少量的熱水(冰水)後，置放1~2分鐘預熱(預冷)。

2 取下杯蓋，按下打開鈕之後將本體傾斜後再倒入飲料。



3 倒完飲料後，請務必一定要將本體正放2、3秒後再按下關閉鈕。



請注意

- 本體呈傾斜狀態時，請勿按下關閉鈕。因為中栓部分會殘留些許「水滴」，在攜帶時水滴有可能會溢出。

甩動本體時會聽見「咖沙咖沙」聲。

這是為了提升保溫(保冷)效力而裝在本體內部中的金屬箔部份摩擦所產生的聲音，不影響其性能，並非異常。

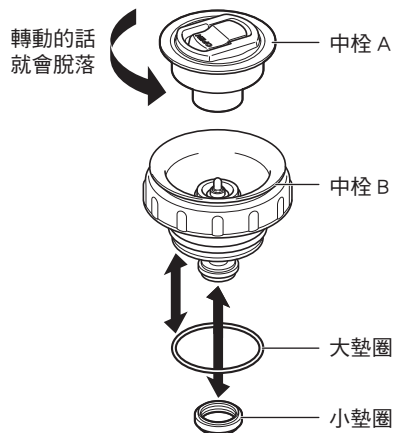
清潔保養的方法

- ◆ 使用後，請務必於當日內清洗。
- ◆ 清潔劑請使用廚房用合成清潔劑(餐盤用、調理器具用)。(第一次使用時以此方式清潔後即可使用。)
- ◆ 請使用海綿·布等柔軟的清洗用具。
- ◆ 為避免殘留異味，請經常清洗。

請注意

- 請勿放入餐盤清洗機或烘碗機中清潔烘烤，請勿放入熱水中燒煮。

中栓清潔保養的方法



- 中栓 A 朝著箭頭方向轉的話，中栓 A · B 兩個部分即可分解開來。另外，中栓 B 的墊圈可拆卸下來。
- 中栓可直接清洗。請使用柔軟的海綿刷洗後，再將內部的水充分瀝乾並讓它自然風乾。

※ 中栓的墊圈方向請正確裝好，不要弄錯方向了。

MBI-A

消耗品更換·洽購

中栓·墊圈類皆屬耗材。請以一年為基準做確認。
欲購買零件，請洽詢至原購買處或客戶服務中心。

產品諮詢相關

我們對於品質上的管理非常嚴謹，萬一產品上有出現瑕疵時，請洽詢原購買處或虎牌客戶服務中心並提供以下信息。

1. 產品名稱
2. 型號
3. 產品狀況 (請詳細描述)
4. 購買日

對於產品上有任何問題，歡迎洽詢。

※ 為了提升功能品質，本書所記載的設計、規格及零件將有可能會不預期的變更。

規格

實際容量	保溫效力
0.8 ℓ	51度以上(24小時)
	77度以上(6小時)
1.0 ℓ	58度以上(24小時)
	80度以上(6小時)

- ※ 保溫效力為以室溫在 20 度 ± 2 度的條件之下，裝滿熱水並直放的狀態，從水溫在 95 度 ± 1 度起算置放 24 小時及 6 小時的水中溫度。
- ※ 實際容量為蓋上產品附屬的中栓時，實際裝下的容量。



TIGER CORPORATION

Head Office: 3-1 Hayamicho, Kadoma City, Osaka 571-8571, Japan
網址: <http://www.tiger-corporation.tw>

虎記股份有限公司

台南總公司: 台南市 702 新樂路 63 號

TEL:06-265-5899 FAX:06-264-7707

台北分公司: 台北市 100 中正區紹興北街 3 號 2 樓

TEL:02-2397-1179 FAX:02-2397-5737

台中分公司: 台中市 402 南區忠明南路 705 號

TEL:04-2375-4627 FAX:04-2375-4502

日本虎牌服務專櫃: 請洽全國各大百貨公司虎牌專櫃或

台南總公司, 台北分公司, 台中分公司

免費服務專線: 0800-888-572